

**READ INSTRUCTIONS BEFORE USE**

**TransLite LLC**  
 345 Commerce Green Blvd  
 Sugar Land TX 77478 USA  
 +1 281 240 3111  
 www.veinlite.com  
 info@veinlite.com

**Caution**

Veinlite R is designed for external use only.

To avoid contamination of the device, Veinlite R must be used with the disposable plastic cover.

To avoid cross contamination, always change the disposable plastic cover between subjects and wipe the new cover with a recommended germicidal wipe.

Always turn the LEDs on after the device is in position. Do not look directly at the LEDs when they are illuminated or shine the light from them directly into anyone's eyes.

Do not immerse the device in liquid.

Do not autoclave the device.

**Introduction**

The Veinlite R is a hand-held battery powered transillumination device for visualizing veins and arteries in the tails of rats and mice.

**Applications**

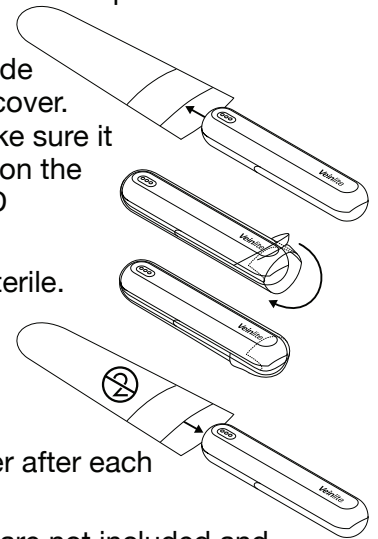
To assist in venous and arterial access in rats and mice tails.

**Operating Directions**

**Disposable Covers:**

The Veinlite R should always be used with a single-use disposable plastic cover to protect it from contamination and to prevent the spread of infection.

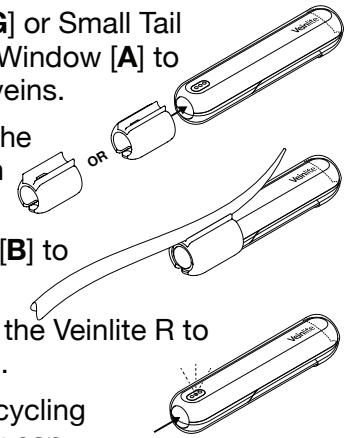
- 1 Place the Veinlite R inside the disposable plastic cover. Check the cover to make sure it is intact and the flap is on the side away from the LED Window [A].
- 2 These covers are not sterile. They should be wiped with a germicidal wipe prior to use.
- 3 Discard the single-use disposable plastic cover after each subject.



Disposable plastic covers are not included and must be ordered from TransLite or any of its authorized dealers.

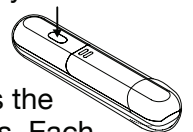
**Device:**

- 1 Install a new Cover [F].
- 2 Slide Large Tail Holder [G] or Small Tail Holder [H] over the LED Window [A] to allow illumination of tail veins.
- 3 Place Veinlite R against the tail with the Tail Holder in contact with the tail.
- 4 Depress the End Button [B] to turn on the LED.
- 5 Apply gentle pressure to the Veinlite R to maintain optimal contact.
- 6 Device will turn off after cycling through the colors or you can depress and hold the End Button [B] for one second to turn device off.
- 7 When you turn on a device with a low battery the device will shut itself off.
- 8 Device will shut off after approximately 4 minutes.



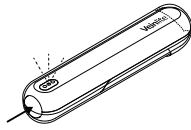
**Brightness Control:**

There are 3 brightness levels. Depress the Side Button [C] to change the brightness. Each depression of the button will cycle through low, medium, and high brightness levels. The lowest brightness level is the default setting.



## Selecting Colors:

Depress the End Button [B] to cycle through these modes:



**Orange** Optimal wavelength for highlighting the contrast between the venous blood vessels and surrounding tissue.

**Green** Assist in finding arteries and veins.

**White** Exam light.

**Off**

## Cleaning Directions

Cleaning the device will not be necessary if properly used with the disposable plastic cover.

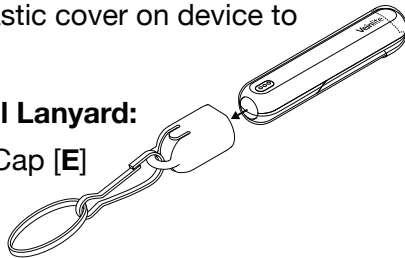
In the event that the device needs to be cleaned, use germicidal wipes sparingly.

Do not submerge the unit in liquid.

## Protective Cap:

The purpose of the Protective Cap [E] is to protect the End Button [B], Side Button [C], and LED Window [A] while the device is not in use.

Keep a disposable plastic cover on device to ensure a proper fit.



## Attaching an optional Lanyard:

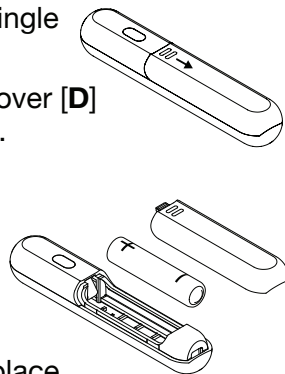
Attach lanyard to the Cap [E] then snap it over the End Button [B].

The Protective Cap and lanyard should be cleaned regularly with alcohol or germicidal solution.

## Installing/Replacing Batteries:

The Veinlite R is powered by a single AAA battery.

- 1 Press firmly on the Battery Cover [D] near the seam and slide it off.
- 2 Remove the used battery.
- 3 Install a new AAA battery, oriented as indicated by the markings inside the battery compartment.
- 4 Slide the Battery Cover into place.



## Warranty

The Veinlite R has a one year parts & labor warranty.

## Troubleshooting

Before returning the device to TransLite for repair, please call or e-mail to obtain an authorization number and shipping details.

**No refunds will be given for devices shipped without authorization.**

## LED Failure

If one of the LED fails to turn on please replace the batteries. If the problem persists contact TransLite for assistance.

## No Light From Any LEDs

Replace the battery, then try turning the unit on again. If the device still will not turn on, please contact TransLite for assistance.

## Specifications

Number of LEDs:

**1 Orange  
1 Green  
1 White**

Weight with battery:

**29g**

Dimensions:

**96.1×19.0×16.5mm**

Battery:

**AAA 1.5V**

## Explanation of Symbols

- Model Number
- Serial Number
- Manufacturer
- EC Representative (EU Only)
- Do not dispose of as unsorted municipal waste

**EC Rep Ltd.**

5 Fitzwilliam Square East  
Dublin 2 D02 R744 Ireland  
+353 89 225 1951  
info@ecrep.ie

Veinlite R® is a Registered Trademark.

\* Patent Pending

Made in USA

VLNR DFU Rev C 0920